

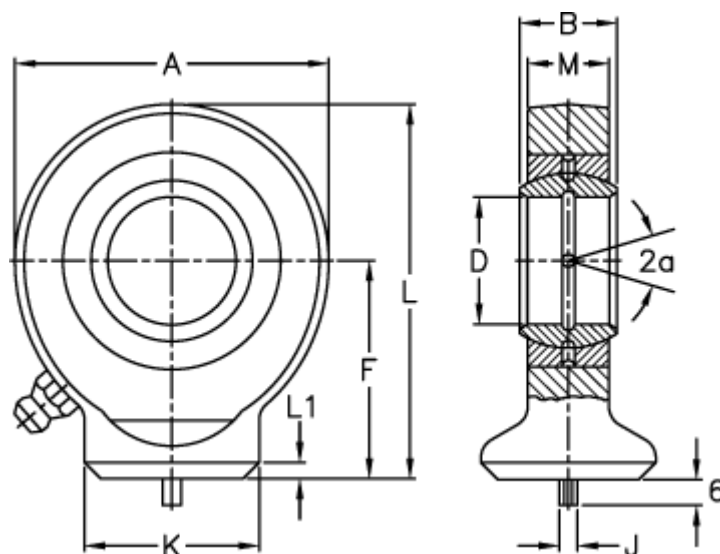
Data Sheet



Article number: 03555012

Description: Fluro hydraulic rod end FS 12C

Measures



A	= 34	L	= 44
a (degrees)	= 11	L1	= 2
B	= 10	M	= 8
D	= 12	Static load C0 (kN)	= 21.6
Dynamic load C (kN)	= 10.8	Weight	= 65
F	= 27		
J	= 3		
K	= 17.5		